



## DW60

### Wheel Dumper

The smooth power package for versatile applications

The DW60 represents one of the larger wheel dumpers from Wacker Neuson. Alongside the countless basic safety features, like skip and tilt monitoring, it also provides the right option for very particular applications: Whether turf tires for the protection of the subbase, or a comfort cab including heated seats, Bluetooth radio with hands-free, and air-conditioning system for all-weather use. The articulated joint and the hydrostatic drive system also make it a reliable work machine with a high tractive force, stability, and power, even with a full load.

### Highlights

- Hill-Hold function
- Inclination monitoring
- Hydrostatic 4-wheel drive with automatic ECO mode
- Seat belt monitoring with start release
- Turf tires

### Technical Data

#### Hydraulic

Operating pressure	240.0 bar
hydraulikpump	ZRP
Flow rate	59.0 l/min
Tank capacity	64.0 l

#### Mechanical - Output Details

Travel speed	25.0 km/h
Travel speed (Option)	25.0 km/h

#### Mechanical Details

Length	4,554.0 mm
Width	2,378.0 mm
Height	3,340.0 mm
Weight cabin	4,683.0 kg
Weight ROPS	4,483.0 kg
Payload	6,000.0 kg
skip	Front tip skip
Skip capacity levelled	2,700.0 l
Skip capacity heaped	3,500.0 l
Skip capacity waterlevel	1,900.0 l
Pendulum angle	11.0 °
Operating weight (min.-max.)	3,799.0 - 4,611.0 kg

#### Engine

Cooling	Water-cooling
Motor type	Turbodieselengine
Cylinder	4.0
Cylinder capacity	2,200.0 cm3
Inclined position max.	20.0 °
Effective power	44.5 KW
Nominal Engine speed	2,300.0 1/min
Exhaust-gas limit	EU Stage V
Starter battery Voltage	12.0 V
Manufacturer	Deutz
Engine designation	TD 2.2 L3

#### Environment Data

Sound power LWA, guaranteed	101.0 dB(A)
Sound power LWA (Standard)	ISO 6395

#### Operating Fluids

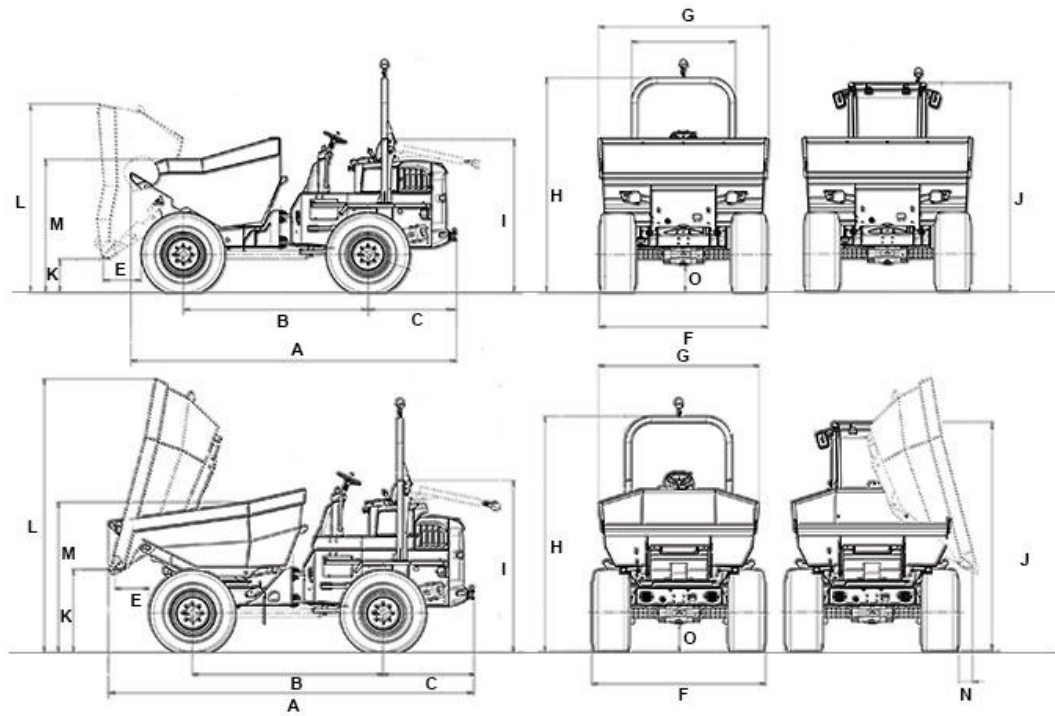
Fuel specification	Diesel EN 590
--------------------	---------------

#### Chassis

Turning radius	5,125.0 mm
Articulation angle	29.0 °
drive unit	4WD hydrostatic

hydraulikpump	Axialpistonpump	Flow rate	152.0 l/min
Operating pressure	450.0 bar	tires	405/70-20

## Dimensions



A	Total length	4,554 mm
B	Wheel base	2,485 mm
C	Rear overhang	1,263 mm
E	Dumping width	565 mm
F	Width of vehicle	2,230 mm
G	Width of skip	2,328 mm
H	Height ROPS	3,240 mm
I	Height of ROPS tilted	2,591 mm
J	Height with cab	2,999 mm
K	Dumping height max.	384 mm
L	Skip height tilted	2,417 mm
M	Skip height	1,828 mm
O	Ground clearance	378 mm