

SL 608 Outdoor High Lifter

for outdoor and indoor use



High Lifter has a longer reach and higher lifting height

The SL 608 Outdoor High Lifter is a powerful lift, which is suitable for lifting both in and out of doors, e.g. on construction sites.

SL 608 Outdoor High Lifter lifts up to 608 kg

- Off road with front-wheel drive
- Manoevrable with dual rear wheels
- Foam filled tyres
- Self-driven
- Electronic brake
- Lifting height 3700 mm (centre of yoke)
- 2 vacuum circuits with 2 pumps
- 4 Suction pads Ø 400 mm
- Ergonomic operation handle
- Waterproof according to ip65



In addition to the electrical extension, the carrying arm is fitted with a manual extension arm to provide extra long reach.

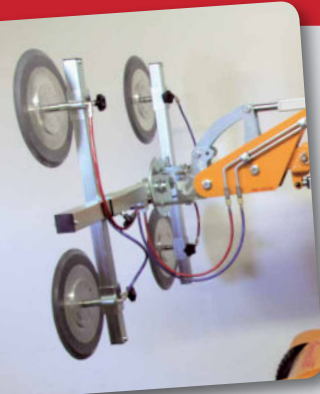


The lift has 100 mm sideshift for accurate adjustment when fitting the window

N.A. Christensensvej 39
DK-7900 Nykøbing Mors
Tel.: +45 97 72 29 11
E-mail: smart@smartlift.dk
www.smartlift.dk

Smart Lift
DENMARK

SL 608 Outdoor High Lifter



The vacuum system is separated into two vacuum circuits for highest security. Showing vacuum circuits with blue and red vacuum hoses



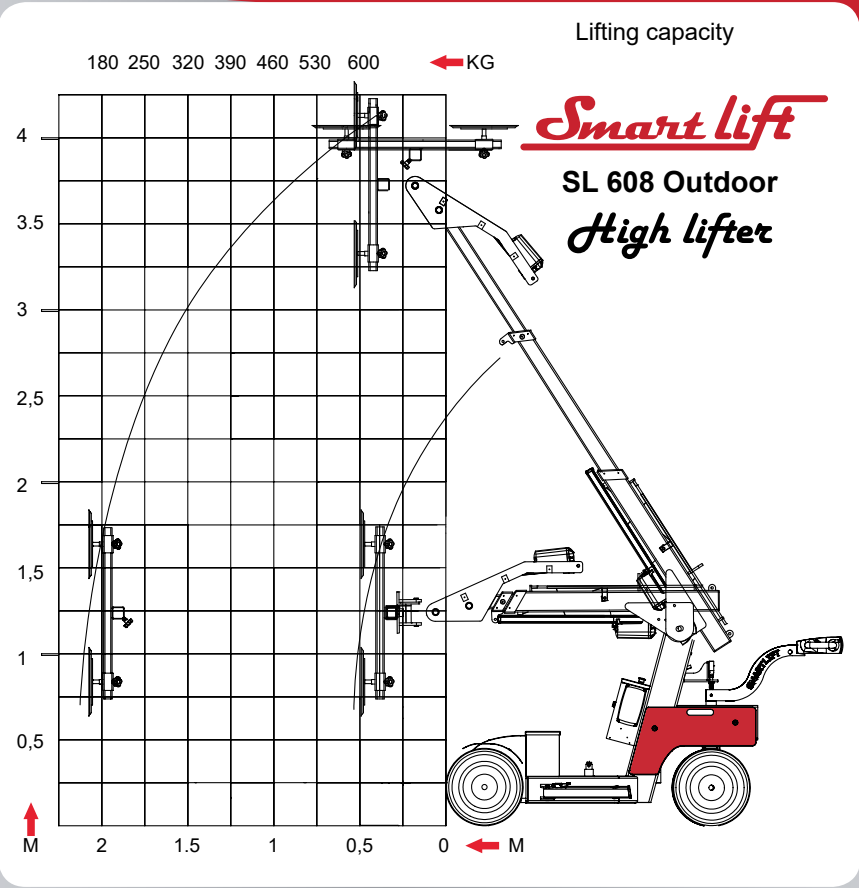
The yoke has movements in all directions



The lifting head has two settings, adjusted by means of two holes for the locking bolt. The lifting head can therefore be adjusted to tilt more towards the ceiling or floor.

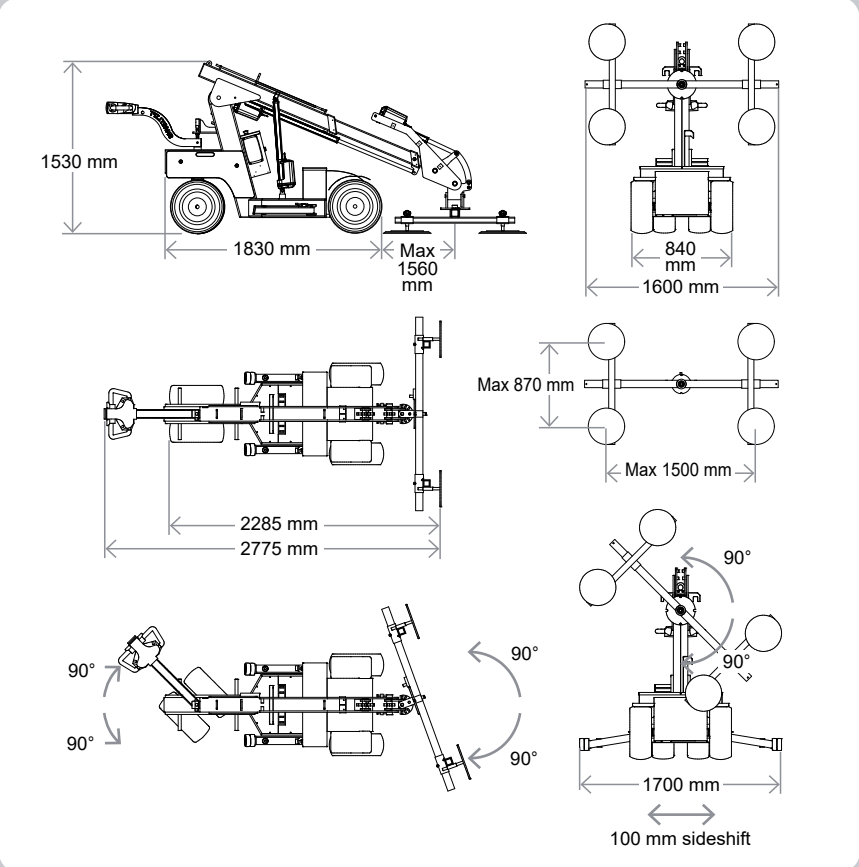


The Smartlift is easily transported in a van or on a trailer



Technical data

| Description | Value |
|--|-----------------------|
| Weight | 930 kg |
| Height | 1530 mm |
| Width (min) | 840 mm |
| Length (min) | 2285 mm |
| Extension of arm | 700 + 900 mm |
| Tip from horizontal | 40° back/100° forward |
| Speed regulation | Stepless high/low |
| Sideshift | 100 mm |
| Vacuum system | 2 circuits |
| Lifting height mounting | 4080 mm |
| Charging voltage | 230 volt |
| Integrated charger | Victron Energy |
| Charging time | Approx 8 hours |
| Battery(2 x 12v) 24 volt | 2 x 105 A |
| Running period | Approx 20 hours |
| Front-wheel drive | 1200 Watt - AC |
| Brake | Elektronic |
| Suction pads | 4 unit Ø 400 mm |
| Lifting capacity arm in/extended (1600 mm) | 608 kg/150 kg |



100910280

N.A. Christensensvej 39
 DK - 7900 Nykøbing Mors
 Tel.: +45 97 72 29 11
 E-mail: smart@smartlift.dk
 www.smartlift.dk

