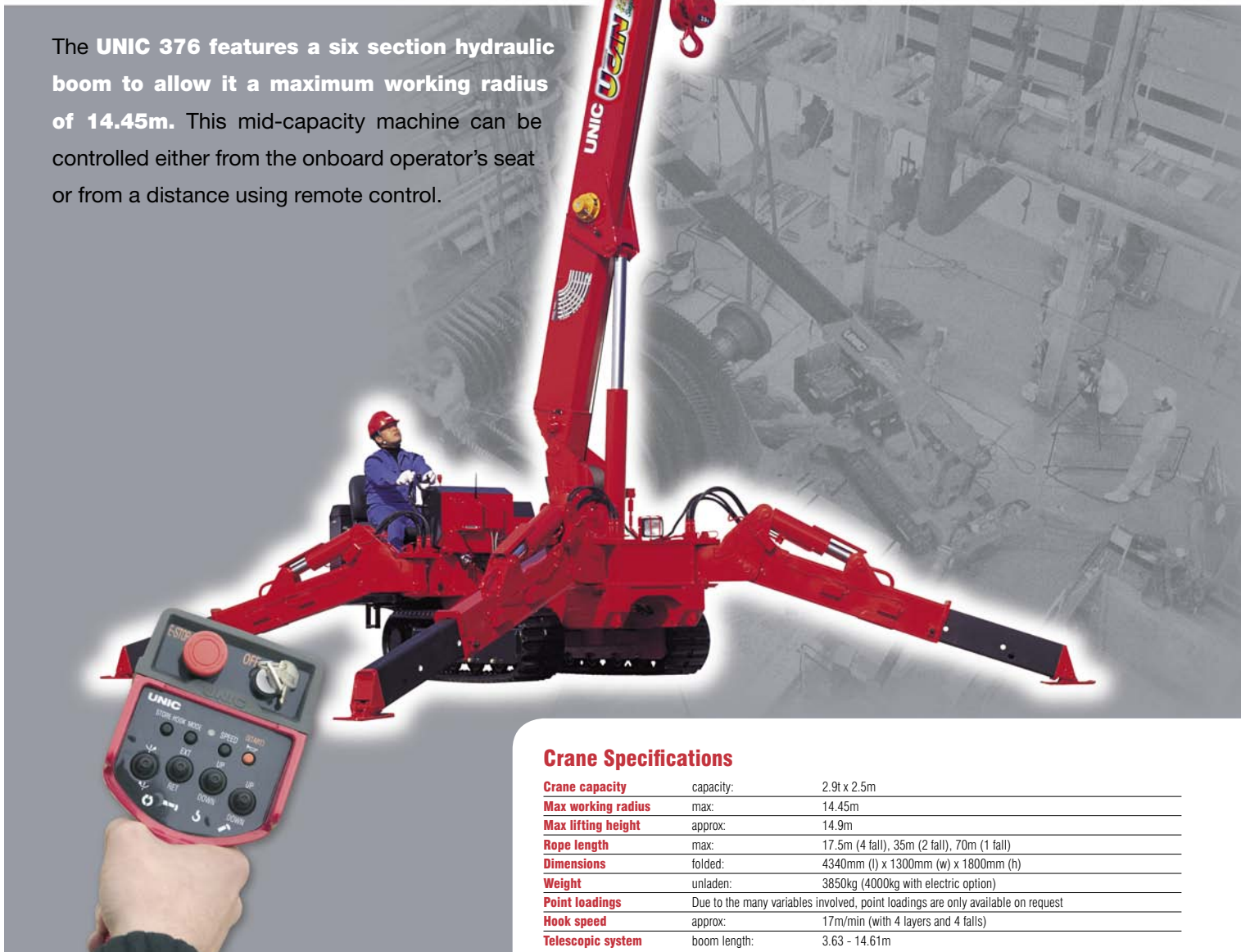


# URW-376

(2.9t x 2.5m)

The UNIC 376 features a six section hydraulic boom to allow it a maximum working radius of 14.45m. This mid-capacity machine can be controlled either from the onboard operator's seat or from a distance using remote control.



## Crane Specifications

<b>Crane capacity</b>	capacity:	2.9t x 2.5m
<b>Max working radius</b>	max:	14.45m
<b>Max lifting height</b>	approx:	14.9m
<b>Rope length</b>	max:	17.5m (4 fall), 35m (2 fall), 70m (1 fall)
<b>Dimensions</b>	folded:	4340mm (l) x 1300mm (w) x 1800mm (h)
<b>Weight</b>	unladen:	3850kg (4000kg with electric option)
<b>Point loadings</b>	Due to the many variables involved, point loadings are only available on request	
<b>Hook speed</b>	approx:	17m/min (with 4 layers and 4 falls)
<b>Telescopic system</b>	boom length:	3.63 - 14.61m
	telescoping speed:	10.98m/23 seconds
	boom type:	6 section hydraulically telescoping boom, hexagonal box construction
<b>Derricking angle/speed</b>	approx:	0 - 80°/10 seconds
<b>Slewing angle/speed</b>	approx:	360° (continuous) 2.5min <sup>-1</sup> (rpm)
<b>Traction system</b>	drive:	hydrostatic 2-speed
	travel speed:	0-3km/h
	gradability:	23°
	track ground length:	1750mm
	track ground pressure:	36kPa (0.37kg/cm <sup>2</sup> )
	track width:	300mm
<b>Engine</b>	manufacturer:	Mitsubishi
	fuel:	diesel (electric dual power option)
	maximum output:	18kW (24.5PS) / 2100min <sup>-1</sup> (rpm)
	starting method:	electric
	tank capacity:	40 litres
<b>Electric motor</b>	power:	7.5kW
	voltage:	400v AC 50/60Hz
<b>Standard equipment</b>	computer controlled moment limiter (safe load indicator), overload warning lamps, intelligent voice warning system, radio remote control, intelligent throttle activation	
<b>Optional equipment</b>	2 fall hook block, 1 fall hook block, mains electric dual power (400v), low marking tracks, slew limitation	

- Capacity 2.9t x 2.5m
- Total width 1.3m
- Max working radius 14.45m
- Max boom length 14.61m
- Diesel powered and optional mains electric
- Zero length increase with electric option
- Operator control of outrigger extension
- Intelligent voice warning system
- Radio remote control as standard
- Working area limitation
- Slew limitation (optional)
- Intelligent throttle activation for economy and ecology



Automatic hook stow



Anti two-block system

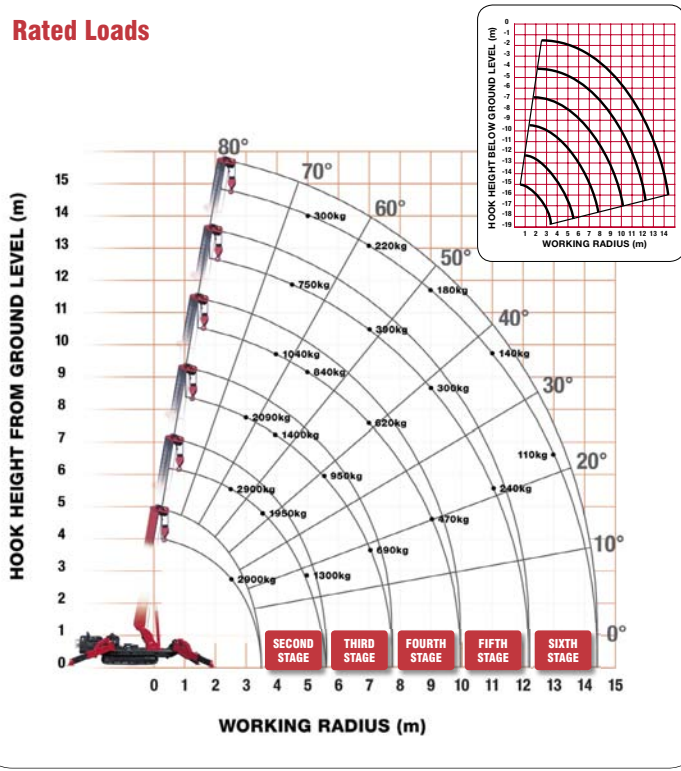


Full safe load indicator

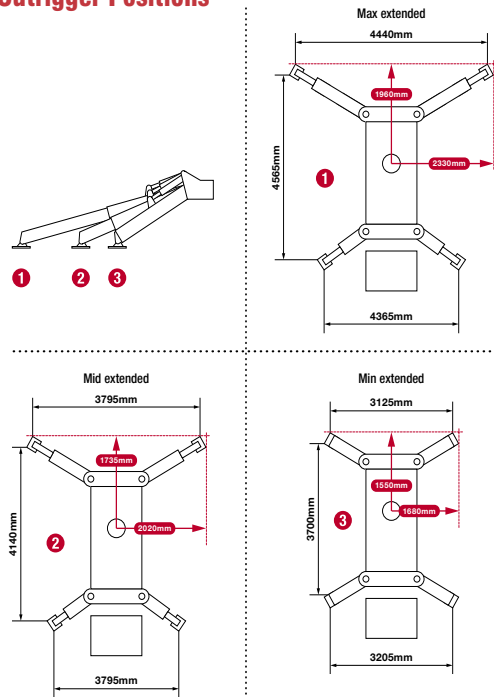


Overload warning lamps + auto stop + alarm

## Rated Loads



## Outrigger Positions



### SECOND STAGE

#### SECOND STAGE EXTENDED 3.63 - 5.85 BOOM LENGTH

Working radius	m	up to 2.0	2.5	3.0	3.5	4.0	4.5	5.0	5.69
Outrigger Max-extended	kg	2,900	2,900	2,350	1,950	1,670	1,450	1,300	1,070
Outrigger Mid-extended	kg	2,900	2,900	2,320	1,920	1,570	1,250	990	770
Outrigger Min-extended	kg	2,900	2,900	2,170	1,500	1,120	900	720	470

### THIRD STAGE

#### THIRD STAGE EXTENDED 5.85 - 8.04M BOOM LENGTH

Working radius	m	up to 2.7	3.0	3.5	4.0	4.5	5.0	5.5	6.0	7.0	7.88
Outrigger Max-extended	kg	2,240	2,090	1,650	1,400	1,220	1,070	950	840	690	590
Outrigger Mid-extended	kg	2,240	2,060	1,650	1,390	1,170	1,000	820	640	450	370
Outrigger Min-extended	kg	2,240	2,060	1,570	1,220	1,020	830	650	510	300	190

### FOURTH STAGE

#### FOURTH STAGE EXTENDED 8.04 - 10.23M BOOM LENGTH

Working radius	m	up to 4.0	4.5	5.0	6.0	7.0	8.0	9.0	10.07
Outrigger Max-extended	kg	1,040	930	840	730	620	520	470	380
Outrigger Mid-extended	kg	1,030	920	830	670	500	380	280	200
Outrigger Min-extended	kg	1,030	820	640	470	310	220	130	90

### FIFTH STAGE

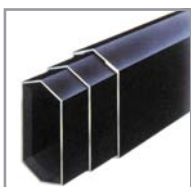
#### FIFTH STAGE EXTENDED 10.23 - 12.42M BOOM LENGTH

Working radius	m	up to 4.5	5.0	6.0	7.0	8.0	9.0	10.0	11.0	12.26
Outrigger Max-extended	kg	750	620	480	390	340	300	270	240	230
Outrigger Mid-extended	kg	750	620	470	390	320	270	220	170	130
Outrigger Min-extended	kg	750	620	400	250	180	130	90	60	10

### SIXTH STAGE

#### SIXTH STAGE EXTENDED 12.42 - 14.61M BOOM LENGTH

Working radius	m	up to 4.9	5.5	6.0	7.0	8.0	9.0	10.0	11.0	12.0	13.0	14.45
Outrigger Max-extended	kg	300	270	250	220	200	180	160	140	130	110	100
Outrigger Mid-extended	kg	300	270	250	220	200	180	160	120	90	60	40
Outrigger Min-extended	kg	300	270	250	220	170	110	80	50	30	20	10



Hexagonal boom minimises sway



Level operation on uneven sites



Optional mains power



Working area limitation



Low marking tracks