

# URW-295

(2.9t x 1.4m)

The UNIC 295 is the first mini crawler available in Europe narrow enough to allow access through a standard doorframe, but with almost 3 tonnes of lifting power. It leads the way technically with an array of safety features including a computer-controlled, intelligent voice warning system.



- Capacity 2.9t x 1.4m
- Total width 0.6m
- Max working radius 8.41m
- Max boom length 8.65m
- Petrol powered, optional LPG dual, electric dual and diesel
- Zero length increase with electric option (except diesel)
- Operator control of outrigger extension
- Radio remote control as standard
- Working area limitation
- Slew limitation (optional)
- Intelligent throttle activation for economy and ecology

## Crane Specifications

<b>Crane capacity</b>	capacity:	2.9t x 1.4m
<b>Max working radius</b>	max:	8.41m
<b>Max lifting height</b>	approx:	8.8m
<b>Rope length</b>	max:	11.7m (4 fall), 23.4m (2 fall), 46.8m (1 fall)
<b>Dimensions</b>	folded:	2690mm (2905mm diesel & electrical dual) (l) x 600mm (w) x 1380mm (h)
<b>Weight</b>	unladen:	1850kg (1950kg with electric option, 1920kg with diesel option, 2090kg with diesel and electric dual option)
<b>Point loadings</b>	Due to the many variables involved, point loadings are only available on request	
<b>Hook speed</b>	approx:	10m/min (with 4 layers and 4 falls)
<b>Telescopic system</b>	boom length:	2.53 - 8.65m
	telescoping speed:	6.12m/20 seconds
	boom type:	5 section hydraulically telescoping boom, hexagonal box construction
<b>Derricking angle/speed</b>	approx:	0 - 78°/11 seconds
<b>Slewing angle/speed</b>	approx:	360° (continuous) 1.5min <sup>-1</sup> (rpm)
<b>Traction system</b>	drive:	hydrostatic, step-less forward and reverse
	travel speed:	0 - 2.3km/h
	gradability:	20°
	track ground length:	1050mm
	track ground pressure:	48kPa (0.49kg/cm <sup>2</sup> )
	track width:	180mm
<b>Engine</b>	manufacturer:	Mitsubishi (Kubota diesel)
	fuel:	petrol (LPG dual, electric dual and diesel options)
	maximum output:	9.6kW (13PS) / 2500min <sup>-1</sup> (rpm)
	starting method:	electric and recoil start as standard
	tank capacity:	6 litres
<b>Electric motor</b>	power:	3.7kW
	voltage:	400v AC 50/60Hz
<b>Standard equipment</b>	computer controlled moment limiter (safe load indicator), computer controlled intelligent voice warning system, overload warning lamps, radio remote control, intelligent throttle activation	
<b>Optional equipment</b>	2 fall hook block, 1 fall hook block, LPG dual power, mains electric dual power (400v), diesel engine, low marking tracks, slew limitation	



Automatic hook stow



Anti two-block system

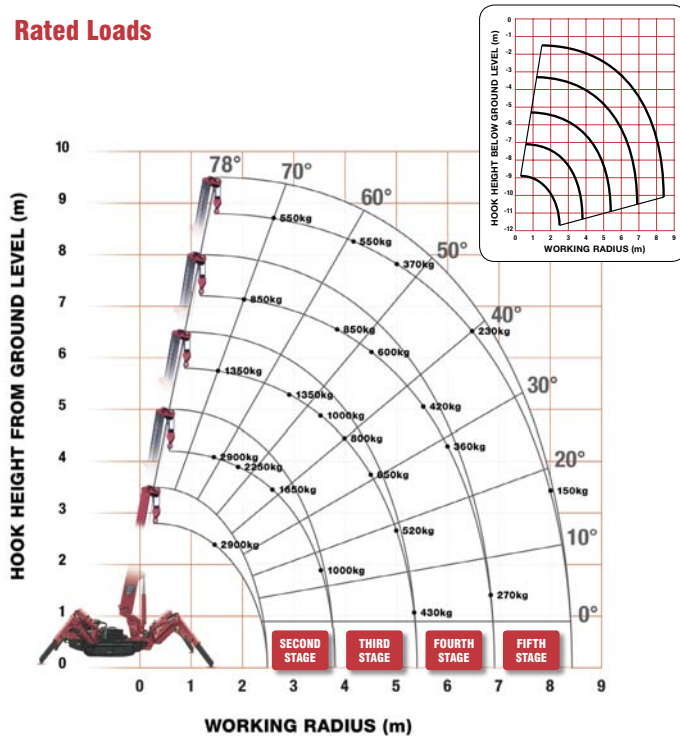


Full safe load indicator

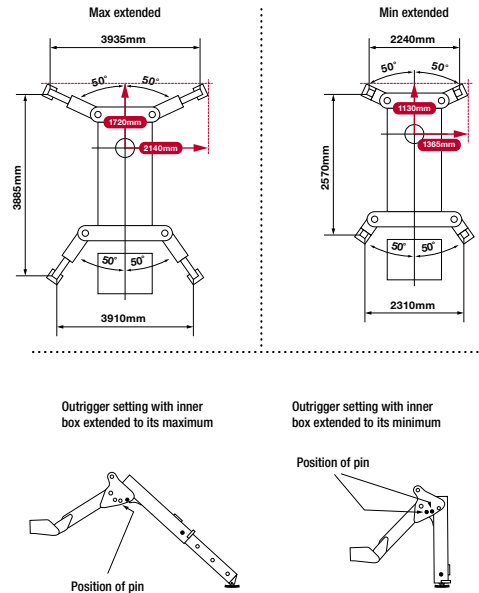


Overload warning lamps + auto stop + alarm

## Rated Loads



## Outrigger Positions



### SECOND STAGE

#### SECOND STAGE EXTENDED 2.53 - 4.075M BOOM LENGTH

Working radius	m	up to 1.0	1.4	1.5	1.8	2.0	2.5	3.0	3.5	3.835	
Outrigger	Max-extended	kg	2,900	2,900	2,650	2,250	2,050	1,650	1,300	1,000	900
	Min-extended	kg	2,000	2,000	2,000	1,450	1,100	650	490	350	250

### THIRD STAGE

#### THIRD STAGE EXTENDED 4.075 - 5.61M BOOM LENGTH

Working radius	m	up to 2.2	2.5	2.9	3.0	3.5	4.0	4.5	5.0	5.37	
Outrigger	Max-extended	kg	1,350	1,350	1,350	1,250	1,000	800	650	520	430
	Min-extended	kg	800	650	530	500	380	280	220	160	120

### FOURTH STAGE

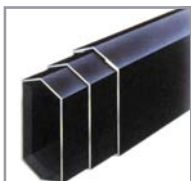
#### FOURTH STAGE EXTENDED 5.61 - 7.13M BOOM LENGTH

Working radius	m	up to 3.3	3.8	4.0	4.5	5.0	5.5	6.0	6.5	6.89	
Outrigger	Max-extended	kg	850	850	750	600	500	420	360	320	270
	Min-extended	kg	420	340	300	250	190	140	100	80	60

### FIFTH STAGE

#### FIFTH STAGE EXTENDED 7.13 - 8.65M BOOM LENGTH

Working radius	m	up to 3.8	4.1	4.5	5.0	5.5	6.0	6.5	7.0	8.0	8.41
Outrigger	Max-extended	kg	550	550	450	370	310	270	230	200	150
	Min-extended	kg	350	290	250	200	160	130	100	70	40



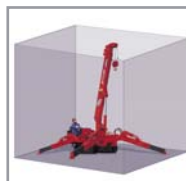
Hexagonal boom minimises sway



Level operation on uneven sites



Optional mains power



Working area limitation



Low marking tracks