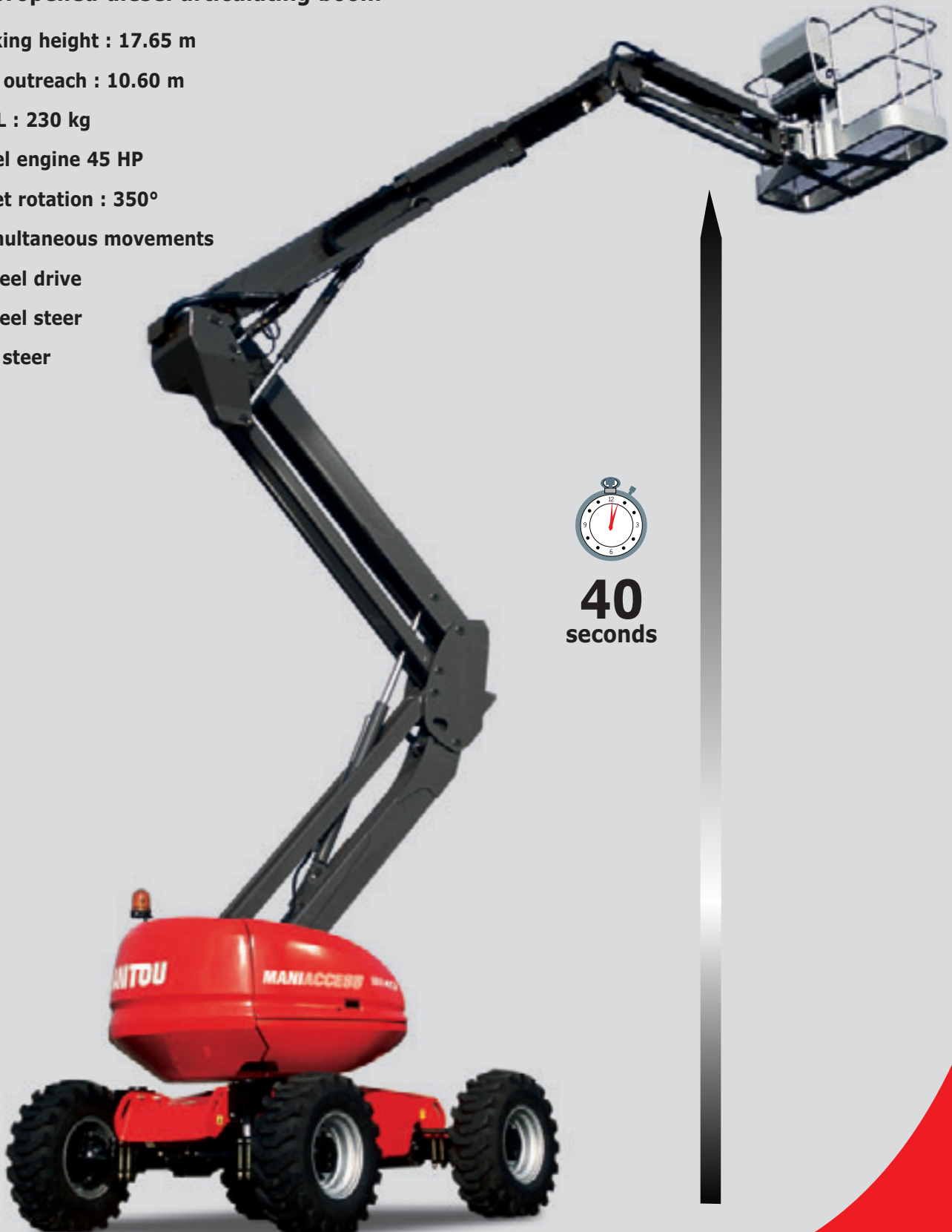


Self-propelled diesel articulating boom

- Working height : 17.65 m
- Max. outreach : 10.60 m
- S.W.L : 230 kg
- Diesel engine 45 HP
- Turret rotation : 350°
- 4 simultaneous movements
- 4 wheel drive
- 4 wheel steer
- Crab steer



40
seconds

180 ATJ

Working height17.65 m
Platform floor height15.65 m
Max. outreach10.60 m
Up and over clearance7.15 m
Jib movement+70°/-70°
Basket rotation+90°/-90°
Turret rotation350°

Capacity230 kg
External usewind 45 km/h
Basket size1.80 x 0.80 m
Lifting time40 s

Width2.30 m
Length7.77 m
Length (Travel/transport)5.77 m
Height2.37 m
Height (Travel/transport)2.53 m

Inside turning radius1.32 m
Outside turning radius3.66 m
Outside turning radius with basket6.87 m
Ground clearance42.5 cm
Wheelbase2.20 m
Working speed (km/h)0.8 km/h
Maximum travel speed (km/h)6.0 km/h

Diesel engine
 PERKINS 404 C 2245 HP

Gradeability on rough terrain40%
Max. slope accepted5° or 9%

Hydraulic tank54 l.
Diesel tank52 l.

Tyres18"
 4 wheel drive/4 wheel steer/crab steer
 Roues en position crabe

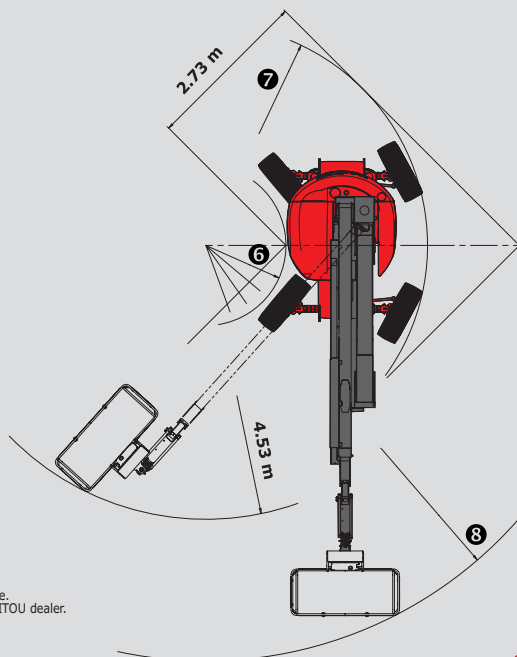
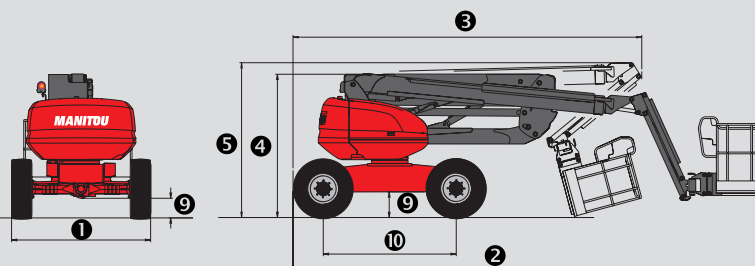
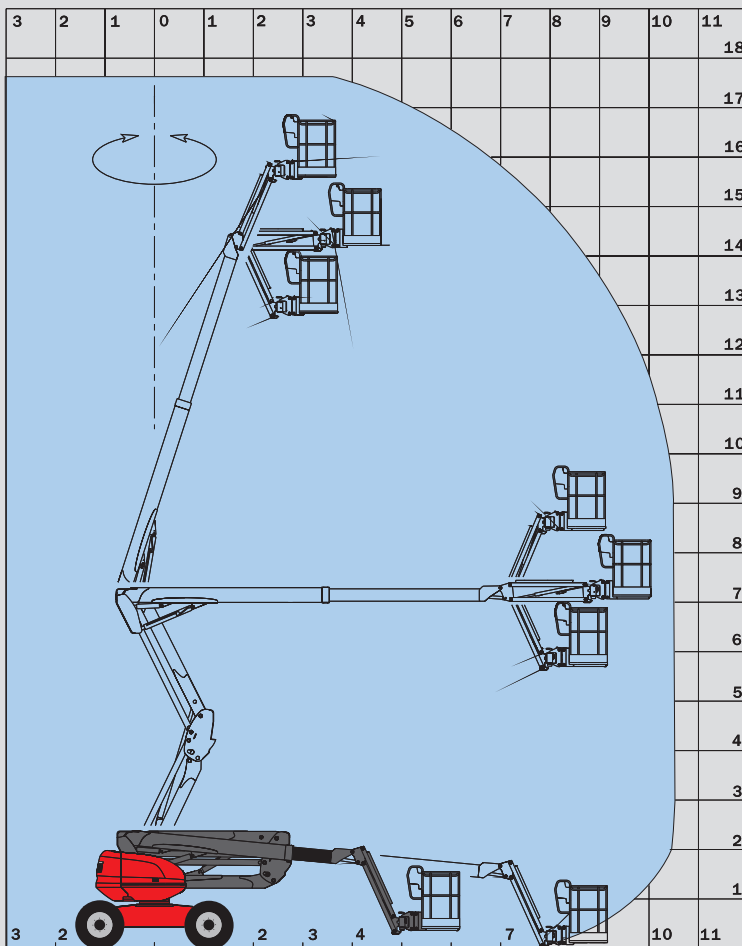
Weight8 090 kg

Standard equipment

- Proportional controls
- 4 simultaneous movements
- Foam filled tyres
- Differential lock
- Limited-slip front axle
- Diagnostic-calibrator
- Hourmeter
- Fuel gauge with low level indicator
- Horn
- Flashing beacon
- Audible and visual tilt and overload alarms
- Slope over ride
- Lifting eyes
- Electric emergency pump
- Prefitted for 230 V
- Dead man's pedal
- Tool tray
- Protective cover (lockable)

Options

- **Oscillating axle**
- **Continuous rotation**
- Wide basket (2.10 m x 0.80 m) with 20" tyres
- On-board generator
- 230 V outlet with residual current device
- Prefitted for compressed air
- Prefitted for water
- Working headlight
- Special paint
- Biodegradable oil
- All movement alarm
- Beep on travel
- 20" tyres
- Catalytic purifier



This publication in no way constitutes an offer and the company reserves the right to alter specification without prior notice. The equipment supplied with each model may differ from that described in this leaflet. For more details, contact your MANITOU dealer. Machines directives compliance (EN 280) and country standard where the machine is delivered.



MANITOU BF SA

B.P. 249 - 44158 Ancenis Cedex - France
 Tel. : 33 2 40 09 10 11 / Export Department Fax : 33 2 40 09 10 97
 www.manitou.com

700183EN-B - 05/09

