

**UpRight**  
**SB60**

# boom lifts

4WD telescopic

Working heights up to  
66ft. (20.3m) telescopic boom

150° jib arc

52ft. 8ins. (16m) horizontal outreach

4WD, oscillating front axle

Excellent maneuverability in  
rough terrain

45% (24°) gradeability

Smooth, user friendly  
proportional controls:  
lifting, telescoping, rotating

Responsive - 65 second  
to 60ft. (18.3m)

180° hydraulic platform rotation

360° continuous rotation

Choice of 6ft. (1.83m) or  
8ft. (2.44m) platforms

Four wheel brakes

Five year  
structural warranty



Photograph shown CE model

specifications	SB60 4WD Diesel	SB60 4WD Dual Fuel
working height	66ft. (20.3m)*	66ft. (20.3m)*
platform height	60ft. (18.3m.)	60ft. (18.3m.)
horizontal outreach	52ft. 8ins. (16m.)	52ft. 8ins. (16m.)
jib length	8ft. (2.4m.)	8ft. (2.4m.)
jib arc	150°	140°
platform size - 6ft. (D)	39ins. (1.0m.) x 72ins. (1.83m.)	
platform capacity (max.)	500lbs. (227kg.)	500lbs. (227kg.)
platform rotation	180°	180°
turret rotation	continuous	continuous
stowed height	8ft. 6ins. (2.59m.)	8ft. 6ins. (2.59m.)
stowed length -operational (A)	36ft. 9ins. (11.21m.)	36ft. 9ins. (11.21m.)
stowed length -for transport (B)	29ft. 9ins. (9.06m.)	29ft. 9ins. (9.06m.)
stowed width (C)	7ft. 11.75ins. (2.43m.)	7ft. 11.75ins. (2.43m.)
inside turning radius	13ft. (3.96m.)	13ft. (3.96m.)
outside turning radius	22ft. 2ins. (6.75m.)	22ft. 2ins. (6.75m.)
tailswing - stowed	53ins. (1.3m.)	53ins. (1.3m.)
drive speed - boom stowed	4mph. (6.4km/h.)	4mph. (6.4km/h.)
drive speed - boom elevated	0.7mph. (1.2km/h.)	0.7mph. (1.2km/h.)
gradeability - 4WD	45% (24°)	45% (24°)
engine	perkins 704-30	GM 3.0L
tires US CE	air-filled poly-filled	air-filled poly-filled
ground clearance	11.5ins. (0.29m)	11.5ins. (0.29m)
toeboards	6ins. (152mm.)	6ins. (152mm.)
guardrail height	45ins. (1.14m.)	45ins. (1.14m.)
gross weight	23,700lbs. (10,750kg.)	23,600lbs. (10,705kg.)
cycle time to full height	65 secs.	65 secs.

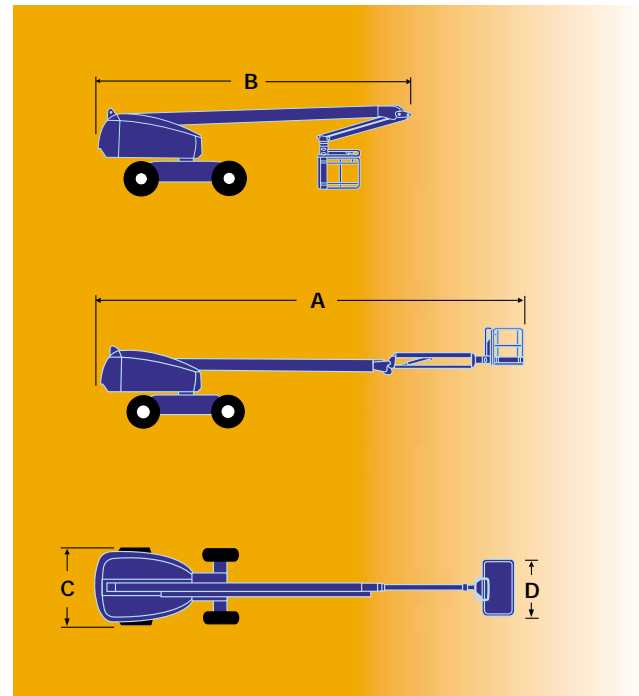
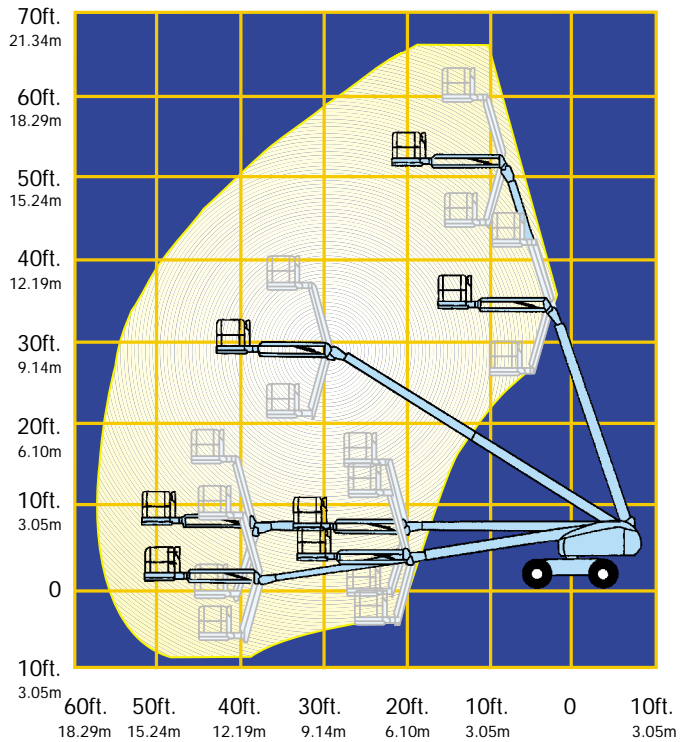
\*Working height in the U.S. is 6 ft. above platform height. Metric working height is 2m above platform height.  
Specifications subject to change without notice. Photos and diagrams in this brochure are for promotional purposes only.  
Refer to appropriate UpRight Operators manual for detailed instructions on the proper use and maintenance of this equipment.

## standard features

- 4WD oscillating front axle
- Proportional controls - lift, swing, telescope
- Power to platform
- Hour meter
- Horn
- 1 year parts/service
- 5 year structural warranty

## options

- All motion alarm
- Flashing amber beacon
- Poly-filled tires (U.S.)
- Air-filled tires (CE)
- Optional 8ft. (2.4m.) platform
- Special paint colors
- Environmental green oil



Meets or exceeds applicable requirements of OSHA and ANSI A92.5 - 1992.  
This product is available with the CE mark confirming compliance with all relevant European Machinery Directives

manufactured by  
**UpRight**

# UpRight

www.upright.com  
e-mail: marketing@upright.com

GLOBAL PROVIDER OF ACCESS SOLUTIONS

### MANUFACTURING

North America  
Tel +1 (559) 662 3900  
Fax +1 (559) 673 6184  
Europe  
Tel + 353 1 620 9300  
Fax + 353 1 620 9301

### SALES

USA / The Americas  
Tel +1 (559) 662 3900  
Fax +1 (559) 673 6184  
Europe/Africa/M. East  
Tel + 44 (0) 1952 685 200  
Fax + 44 (0) 1952 685 255

France  
Tel + 33 130 37 05 44  
Fax + 33 130 37 63 68  
Germany  
Tel + 49 2103 98950  
Fax + 49 2103 989549

Singapore  
Tel + 65 6324 1322  
Fax + 65 6225 5157  
Australia  
Tel + 61 2 9748 6200  
Fax + 61 2 9748 6255

P. R. China  
Tel + 86 21 63390190  
Fax + 86 21 63390191  
Japan  
Tel + 81 3 5765 6841  
Fax + 81 3 5765 6840