



AMMANN-YANMAR SAS

25, rue de la Tambourine - F-52100 SAINT DIZIER

sales@ammann-yanmar.fr

www.ammann-yanmar.com



Version Studio - Printed in France - Materials and specifications are subject to change from the manufacturer without notice - Please contact your local Ammann-Yanmar dealer for further information.



Mini-excavator



YANMAR

ViO35

Operating weight : 3565/3435 kg

Arm digging force : 1900 kgf

Bucket digging force : 2800 kgf

Yanmar, inven of the ZTS m



Mini-excavator



tor and leader ini-excavators



Zero Tail Swing

**Yanmar, inventor
of the ZTS machine**

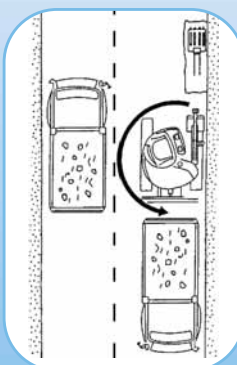
Design principles

- The ViO35 is a true Zero Tail Swing machine : neither the counterweight nor the front part of the upper frame exceed the width of the crawlers.
- Compact dimensions :
 - front swing radius with boom swing : 1620 mm ;
 - rear swing radius : 775 mm ;
 - overall width of the machine reduced to 1550 mm.



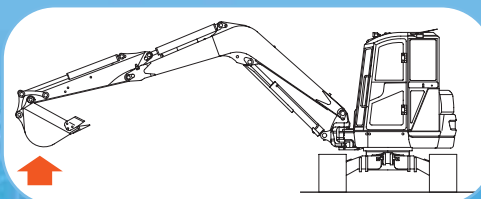
Advantages for the user

- Possibility to work in narrow areas, where a conventional machine is not able to work.
- Possibility to work along a wall.
- No dead angle in the upper structure : maximum superb all-round visibility.
- Safety and productivity for the operator.
- Operations are perfectly adapted to urban areas : machine does not obstruct all lanes of traffic.



Excellent weight distribution

- The use of a large counterweight, asymmetric crawlers (VICTAS® system) and high tensile equipment allows :
 - equalled stability, even higher than that of a conventional machine of the same weight ;
 - increased lifting capacity.



Mini-excavator



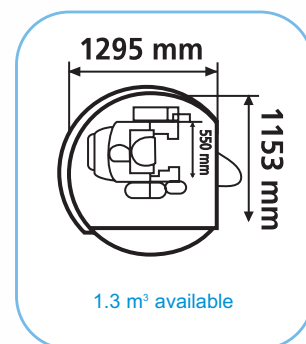
tor and leader ini-excavators



Comfort and safety

Spacious and ergonomic pilot system

- Perfect position of joysticks, armrests and travel levers with pedals.
- Comfortable, multi-adjustable seat : sliding seat, reclining backrest and weight.
- Access possible from both sides on the canopy version.
- Separate pedals for using the auxiliary power take-off line and swinging the boom. Sturdy covers which serve as footrests.



Cabin version

- Windscreen in 2 parts, stored overhead. Sliding side windows.
- Wide access to the operating position.
- Defroster, heater, ventilation, inside lighting, windscreen washer.

Maximum operator safety

- Canopy and cabin meet the requirements of the strictest safety standards :
 - ROPS (Roll Over Protective Structure) ;
 - FOPS 1 (Falling Object Protective Structure) ;
 - TOPS (Tip-Over Protective Structure).
- Large safety lever on access to control position : in the raised position it prevents all working movements and travel.
- Modern, user-friendly instrument panel, giving instant warning to the operator of any anomalies that may occur.

tor and leader
ini-excavators



Performance

Undercarriage



- The VICTAS® system (patented by Yanmar) consists in increasing the bearing surface by increasing the track path and using asymmetric crawlers :
 - increased lateral stability ;
 - increased lifting capacity ;
 - reduced ground damage ;
 - reduced track wear ;
 - quiet, vibration-free movement.
- The angular shape of the undercarriage makes it possible to eject earth and deposits of foreign matter.



Reliability and ac

A new-generation Yanmar "TNV" (Totally New Value) engine

- Improvement and modernisation of TNE series, which is already well-known for its "clean and quiet" profile :
 - reduced emissions for an even cleaner engine ;
 - noise reduction for an even quieter engine ;
 - improved starting (warms up faster).
- The new TNV series exceeds the most stringent emissions standards.



AMMANN
YANMAR

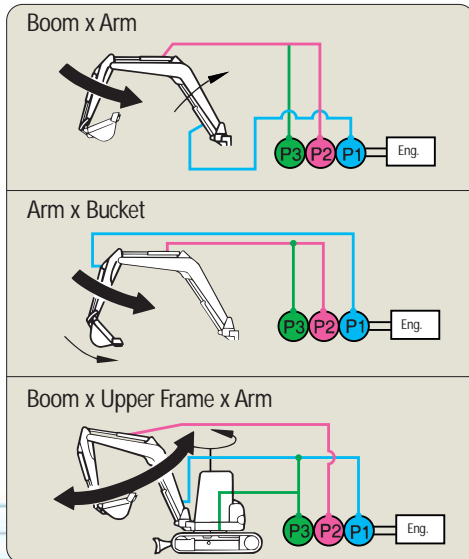


Integrated working lamp



“VIPPS®” hydraulic circuit (ViO Progressive 3 Pumps System)

- Hydraulic circuit fitted with a variable-flow dual piston pump, a gear pump and a multiple-combination directional control valve :
 - increased working speed due to the cumulative pump capacities ;
 - smooth, simultaneous operation of all functions, even when travelling.



Straight travelling

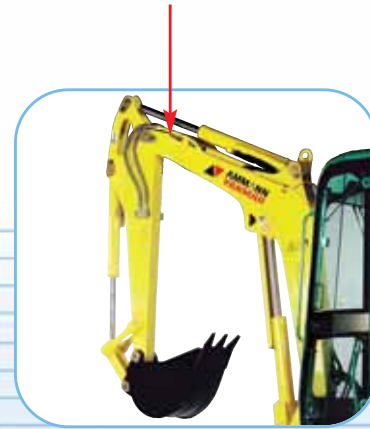
- The hydraulic system enables the operator to move the machine in a perfectly straight line, even when using other hydraulic circuits for other movements at the same time.
- It is possible to fill a trench while travelling alongside it without risk of veering off course.

Environmentally friendly

- Combination of a high-performance Yanmar engine and the VIPPS® hydraulic system :
 - increased productivity ;
 - reduced fuel consumption ;
 - less noise and pollution.

Auxiliary circuit (PTO)

- Dual or single-action auxiliary circuit to add various accessories : hydraulic rock breaker, swivelling ditch cleaning buckets, auger, etc.



Accessibility

Miscellaneous protective devices

- Integrated working lamp :
 - reduces risk of damage ;
 - provides better visibility at bottom of trenches.
- Hydraulic hoses pass inside the boom : perfect protection.
- Careful routing of hydraulic pipes and hoses on top of the boom.

Easy access to maintenance points

- Large rear bonnet allowing access to all engine components and hydraulic pumps.
- Daily check points gathered under the front bonnet (top up oil, water, diesel).
- Quick access to control valve by removing side panel.



TECHNICAL SPEC

Engine

Yanmar Diesel 3 cylinders 3TNV82A-XBVA
Rated Output (DIN 6270B) 18.4 kw/25 HP/2500 rpm
Displacement 1331 cm³
Max. torque 87.31 N.m./1500 rpm

Hydraulic circuit

System capacity 42 l
Max. pressure 206 bar
Variable flow dual piston pump 2 x 38.75 l/mn
1 gear pump 1 x 23.75 l/mn

Performances

Travelling speed 2.7/4.6 km/h
Swing speed 10 rpm
Digging force (arm/bucket) 1900/2800 kgf
Boom swing (L/R) 50°/75°
Ground pressure* 0.332/0.320 kg/cm²

Grade ability 30°
Shoe width 300 mm
Ground clearance 320 mm
Blade (width x height) 1550 x 370 mm
* cabin/canopy



Miscellaneous

Fuel tank 37 l
Cooling system 3.5 l
Transport dimensions (L x w x h) 4595 x 1550 x 2530 mm
Noise level LwA (2000/14/CE & 2005/88/CE) 94 dBA



Optional equipment

Special paint
Bio Oil
Long dipper arm (+ 300 mm)
Arm extension (+ 500 mm)

Safety device for loading
Anti-theft device
FOPS 2 protection bars on cab roof

PTO	Theoretical data	
	Pressure	2500 rpm
	0 ~ 206 bar	62.5 ~ 41.25 l/mn
	0 ~ 206 bar	62.5 ~ 41.25 l/mn

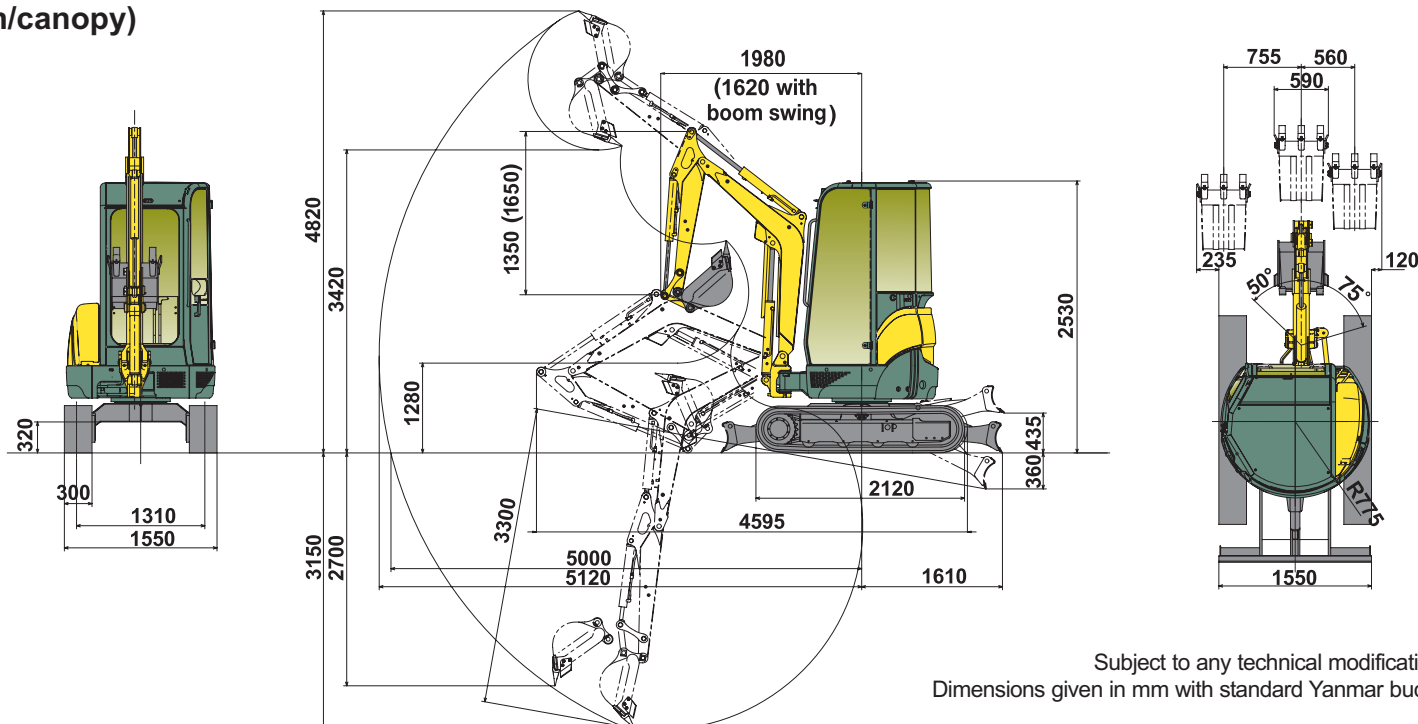
• The output reduces as the pressure increases.



IFICATIONS



Operating weight $\pm 2\%$:
3565/3435 kg rubber crawlers
(cabin/canopy)



Subject to any technical modifications.
Dimensions given in mm with standard Yanmar bucket.

Blade on ground

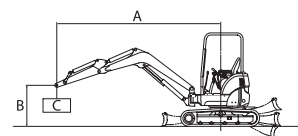
A	Maxi		3.5 m		3.0 m		2.5 m		2.0 m		
B											
3.0	430	*660	530	*630	*590	*590	-	-	-	-	C
2.0	340	*680	500	*740	*750	*750	*870	*870	-	-	
1.0	310	*730	460	*900	600	*1100	790	*1440	-	-	
0	300	*740	420	*980	560	*1240	720	*1570	-	-	
- 1.0	380	*780	420	*900	570	*1180	720	*1420	1000	*1810	
- 1.5	480	*790	-	-	540	*960	730	*1270	1010	*1540	
- 2.0	630	*770	-	-	-	-	720	*920	-	-	

Machine with canopy,
rubber crawlers,
bucket of 89 kg
(590 mm).

- A : Overhang from rotational axis (m).
- B : Height of hooking point (m).
- C : Safe working load (kg). (+ 4% with cab).

Blade above ground

A	Maxi		3.5 m		3.0 m		2.5 m		2.0 m		
B											
3.0	420	490	530	*630	*590	*590	-	-	-	-	C
2.0	340	380	490	570	*750	*750	*870	*870	-	-	
1.0	310	350	450	530	600	680	780	910	-	-	
0	300	360	420	490	560	640	720	840	-	-	
- 1.0	380	430	420	490	560	640	720	810	1000	1260	
- 1.5	480	520	-	-	540	620	730	850	1000	1200	
- 2.0	630	*770	-	-	-	-	720	*920	-	-	



Tipping load, rating over front

Tipping load, rating over side 90°

The data contained in these tables represent the lifting capacity in accordance with ISO standard 10567. They correspond to 75 % of the maximum static tipping load or 87 % of the hydraulic lifting power. Data marked * are the hydraulic limits of the lifting power.