



SV05

Micro-excavator



SV05

Operating weight : 615 kg
Arm digging force : 390 kgf
Bucket digging force : 690 kgf

Yanmar, special list of the micro-e



SV05



Micro-excavator



Product list and leader in mini-excavators



Compactness semi-ViO

Compact dimensions

- Width : only 690 mm.
- Rear swing radius reduced to 735 mm.
- Reduced rear overhang (240 mm) to work closer to a wall.
- Dimensions of a micro-excavator of 300 kg, with the performance of a 600-kg machine.



Surprising performances for a machine in this weight class, the SV05 can undertake work normally reserved for machines in a bigger class

- Digging forces : 390 kgf (arm) and 690 kgf (bucket).
- Digging depth : 1200 mm.

Advantages for the user

- Possibility to work on sites where no other machines can operate, because of their weight and dimensions : renovation in individual houses, gardens, tunnels... Possibility to go through the narrowest openings (700 mm).
- Machine easy to use, even for non-professionals (private individuals).
- Weight and dimensions allowing easy transport on a short trailer or in an utility vehicle.
- Hook on the boom to lift the machine from one point only.



*Yanmar, the only
to offer a micro-excavator
in this weight class*



Micro-excavator



Final manufacturer compact excavator weight class

High performance

Yanmar Diesel engine, quiet and environmentally friendly

- New generation of engine, cooled by water, 2 cylinders.
- Powerful : 7.2 HP at 2000 rpm.
- Low speed - increased life.
- Fully compliant with European environment standard 97/68/EC and EPA American norms.



SV05

Working equipment

- Dual or single-action auxiliary circuit (PTO) to add various accessories (swivelling ditch cleaning buckets...).
- Working lamp.
- Cylinder protection on boom.
- Perfect protection of the flexible hoses and pipes on the arm and the bucket cylinders.



**AMMANN
YANMAR**

Original manufacturer Compact excavator Light class

Comfort and safety

Ergonomic operating position

- Separate pedals for the 3rd circuit (PTO) and boom swing.
- Both pedals can be folded sideways to offer more space for the operator's feet.
- Complete monitor with safety alarm.
- Access to operating position on both sides.

Safety for the operator

- Safety lever to lock the 4 main functions of the machine.
- Safety bar on the front part of the machine.
- Low centre of gravity for excellent stability.



Safety lever

Reliability and accuracy

Strong protective devices

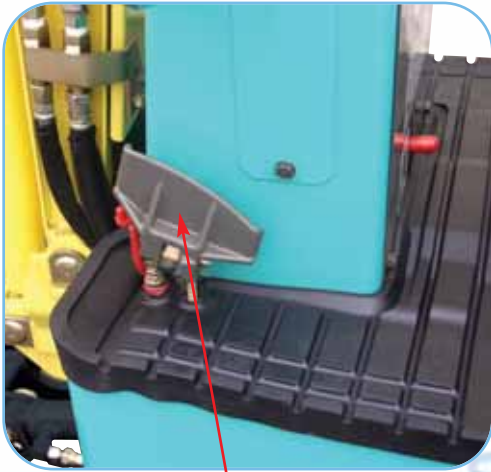
- Centralised routing of flexible hoses to eliminate twisting problems.
- Flexible hoses protected by external covers.



SV05



safety



Both pedals can be folded



Standard ROPS protective frame

- Roll Over Protective Structure with safety belt.
- Can be folded rearwards, allowing the machine to travel under low overhead heights.
- Easier maintenance and control due to a large steel bonnet opening.



accessibility

Upper frame made from a single casting providing improved stability and greater durability



Easy access to maintenance points



TECHNICAL SPECI

Engine

Yanmar Diesel 2 cylinders 2TE67-BV
Rated Output (DIN 6270B) 5.3 kw/7.2 HP/2000 rpm
Displacement 451 cm³
Max. torque 23.6 N.m./ 1800 rpm

Hydraulic circuit

System capacity 7.8 l
Max. pressure 170 bar
2 gear pumps 2 x 6.92 l/mn

Performances



Travelling speed 2.0 km/h
Swing speed 8 rpm
Digging force (arm/bucket) 390/690 kgf
Boom swing (L/R) 70°/70°
Ground pressure 0.27 kg/cm²
Grade ability 25°
Shoe width 150 mm
Ground clearance 155 mm
Blade (width x height) 580 x 155 mm

Miscellaneous

Fuel tank 6 l
Cooling system 2 l
Transport dimensions (L x w x h) 2150 x 690 x 2080 mm
Noise level LwA (2000/14/EC & 2005/88/EC) 90 dBA

Optional equipment

Special paint
Standard buckets
Ditch cleaning buckets
Swivelling buckets

| PTO | Theoretical data | |
|---|------------------|-----------|
| | Pressure | 2000 rpm |
|  | 170 bar | 13.8 l/mn |
|  | 170 bar | 13.8 l/mn |

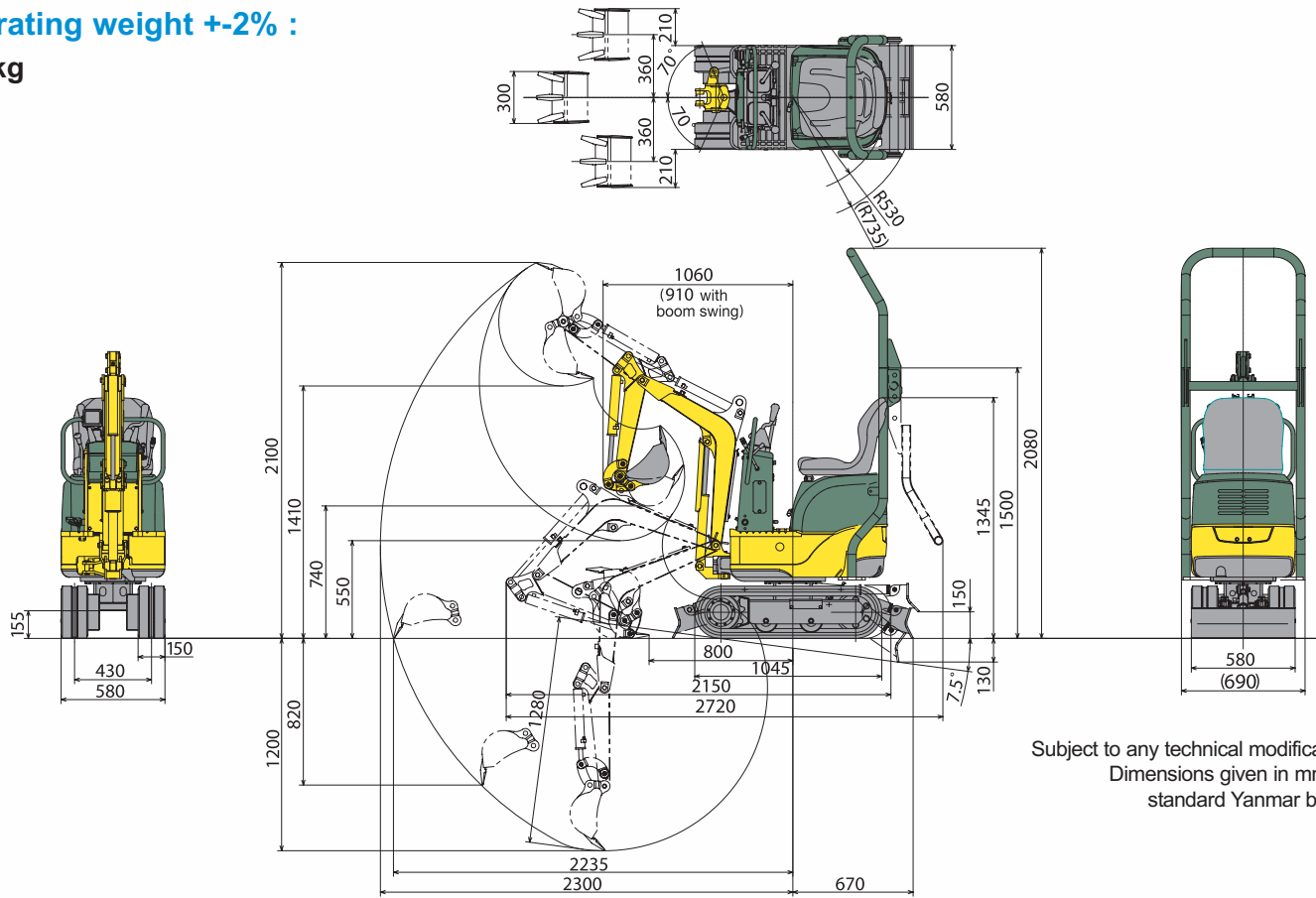


• The output reduces as the pressure increases.

IFICATIONS



Operating weight +2% :
615 kg



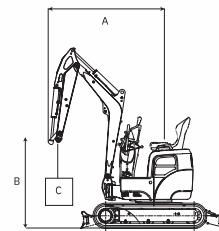
Subject to any technical modifications.
Dimensions given in mm with
standard Yanmar bucket.

| Blade on ground | | | | | | |
|-----------------|------|------|-------|------|------|------|
| A | Maxi | | 1.5 m | | Mini | |
| B | | | | | | |
| 1.5 | 70 | *130 | 80 | *120 | - | - |
| 1.0 | 50 | *130 | 80 | *140 | 100 | *150 |
| 0.5 | 50 | *140 | 80 | *180 | 120 | *310 |
| 0 | 50 | *140 | 70 | *200 | 140 | *350 |
| -0.5 | 70 | *140 | - | - | 120 | *230 |

| Blade above ground | | | | | | |
|--------------------|------|------|-------|------|------|------|
| A | Maxi | | 1.5 m | | Mini | |
| B | | | | | | |
| 1.5 | 80 | *130 | 80 | *120 | - | - |
| 1.0 | 50 | 100 | 80 | *140 | 100 | *150 |
| 0.5 | 50 | 90 | 80 | 140 | 120 | 220 |
| 0 | 50 | 90 | 70 | 140 | 130 | 230 |
| -0.5 | 60 | 120 | - | - | 110 | 200 |

Machine with ROPS,
rubber crawlers,
bucket of 10.2 kg (300 mm).

- A : Overhang from rotational axis (m).
- B : Height of hooking point (m).
- C : Safe working load (kg).



Tipping load,
rating over front

Tipping load,
rating over side 90°

The data contained in these tables represent the lifting capacity in accordance with ISO standard 10567. They correspond to 75% of the maximum static tipping load or 87% of the hydraulic lifting power. Data marked * are the hydraulic limits of the lifting power.



AMMANN-YANMAR SAS

25, rue de la Tambourine - F-52100 SAINT DIZIER

sales@ammann-yanmar.fr

www.ammann-yanmar.com



Venus Studio - Printed in France - Materials and specifications are subject to change from the manufacturer without notice - Please contact your local Ammann-Yanmar dealer for further information.