

Small turn

Wacker Neuson Small turn Excavator
6003 • 8003



**WACKER
NEUSON**

Powerful and versatile: The shape of power.

A DESIGN PRINCIPLE BECOMES A SUCCESS: THE ENGINE PLACED AT THE SIDE AND SEPARATED FROM THE CABIN. PLACE THE CONTROLS AT THE REAR AND IN THIS WAY PROVIDE OPTIMAL ACCESS FOR SERVICING THE ENGINE. SET EVERYTHING ON A PARTICULARLY RIGID, ROBUST AND WELL-PROVEN X FRAME OF HIGH QUALITY STEEL.

- The Wacker Neuson 6003 and 8003 shape a new class: More powerful, more manoeuvrable, more comfortable.
- The Small turns are the individuals amongst the compact excavators and versatile system base for the mounted tools.
- The programmable proportional control (an option for both models) can be individually adjusted to suit the mounted tools. The result: particularly efficient and fine work in every situation and combination.
- The 6003 is the only excavator of its class that can be fitted with an additional pivot arm for an even better excavation curve.
- The spacious cabin, tested by ROPS/FOPS, is separated from the engine space; inside it remains cooler than is the case with excavators of traditional construction.
- The powerful engines are also environmentally up to date, and the Wacker Neuson hydraulics are competent for every task.

Wacker Neuson Factors:

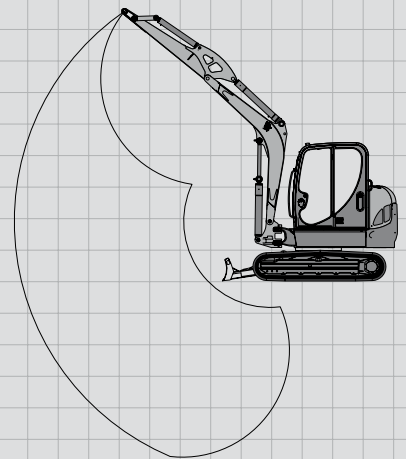
- Superior engines.
- Tilting cabins with ROPS/FOPS safety certificates.
- 5 way adjustable driver's seat.
- Excellent stability and particularly good manoeuvrability with minimised overhang at the back.
- Easy accessibility for the daily visual inspections.
- Rigid and robust X frames for stability and durability.
- High strength steel.
- Replaceable bushes on generously dimensioned bearings.



Pivot arm as option:
Fewer work steps,
greater efficiency.



Mono arm

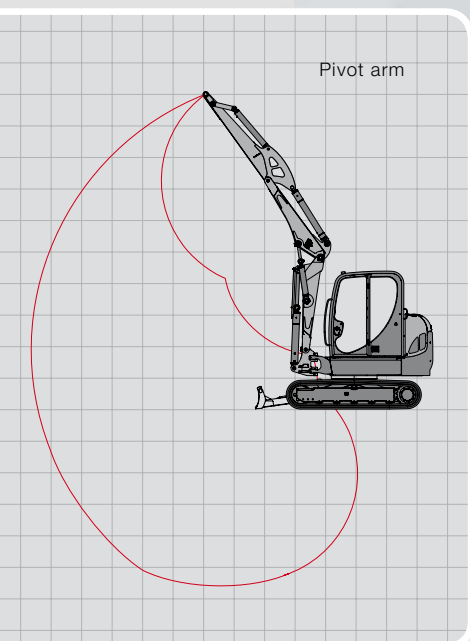


Stronger performance and any number of possibilities:

With this excavator all areas of application are open, and with an additional pivot arm a new performance dimension is given. The excavation curve makes it clear: the additional reach, depth of excavation and dumping height.

Agile and versatile:

Attention-getter and performer on every building site.



Convincing performance and a distinctive profile:

Real professional quality can be recognised in the suitability for daily use: compact design, optimal all round view, the tippable cabin, excellent motorisation and particularly good hydraulic performance create a clear advantage in performance. For every application... and not just in theory.



Wacker Neuson excavators simply provide more: they improve construction processes.

The particularly economical engines meet all the applicable environmental obligations of TIER III.



Intelligent performance management: The engines of sustainable cost effectiveness.

1 Engine speed automatic after 5 seconds without movement the engine automatically goes into idling. This reduces fuel consumption and noise.

The large dimensioned hydraulic system provides such a clear reserve of power that 100 % performance can be guaranteed even with an ambient temperature of up to 45°C.

2 Hydraulic control circuits for the deployment of complex multifunction or particularly powerful add on tools.

3 The proportional control * enables the adjustment of the characteristic curves for the response behaviour and the movement of the respective add-on equipment. At the push of a button a switch between the characteristic curves and the best synchronisation between excavator and tool is guaranteed.

* Optional additional equipment.

4 The innovative HSWS quick change system EASY LOCK is optimally tuned to the response behaviour of both of the models 6003 and 8003 and contributes quite decisively to improvement of the work processes: drive up, dock and automatically lock. Due to the low construction height the displacement angle of the shovel is fully maintained. A very important contribution to an improved work flow.

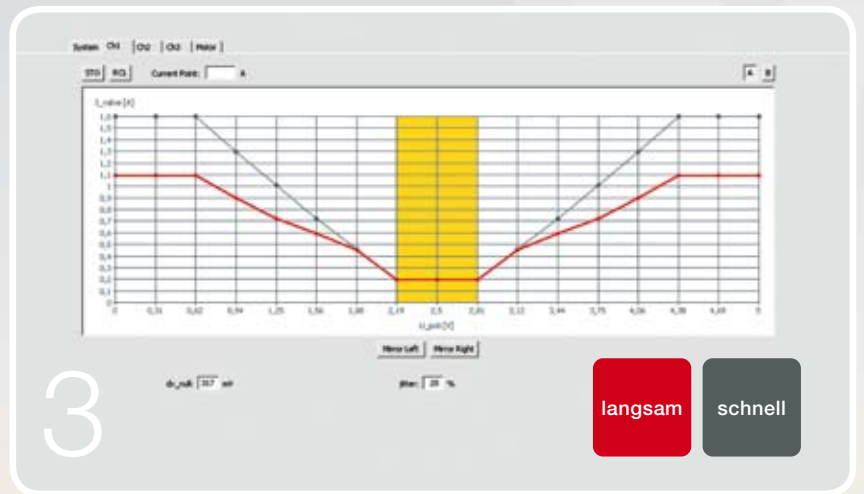
The small turn models 6003 and 8003 are not on their own.

With their add-on tools, with the EASY LOCK quick change system, with generously dimensioned hydraulic performance and with additional control circuits they can contribute substantially to making the work on site more plannable and more profitable. They improve the value¹, by couple together the work steps in such a way that a continuous work flow is created.

¹More information: Fraunhofer-Institut für Produktionstechnik und Automatisierung in Stuttgart.

Wacker Neuson Factors:

- Additional hydraulics with non-pressurised hammer return pipe as standard.
- Control circuit for power grab with third and fourth control circuit as options.



Cabin comfort and stability: General conditions of excellent performance.



The actual performance of an excavator on the construction site depends to a great extent on the people operating it.

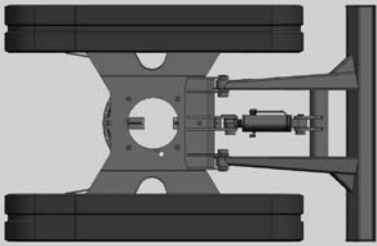
Therefore in the models 6003 and 8003 everything is done to actively support the quality of their work on site. The machine productivity is outstanding due to the combination of long service intervals and short maintenance down times.



6003
8003

- 1 **Generously dimensioned tipping cab** with excellent all round view. A comfortable work place ... also an enormous safety factor. Unobstructed service access to all components.
- 2 **Protected pipe routing** thanks to incorporation of the pivoting control panel in two parts.
- 3 **Robust and high quality steel forms** the particularly rigid X frame. That is stability which bears up to everything.

- 4 **Ergonomically correct is always an individual matter: The driver's seat can be adjusted in 5 ways:**
 - forwards and backwards
 - forwards and backwards with control panel for the same space between driver and instruments
 - height of seat
 - adjustment to the weight of the driver
 - adjustability of the arm rests and back rest.
- 5 **Comfortable entry into the cab:** wide driver's door, high construction and stable grab handles.



**Generous dimensioning and safe construction:
cabins for a better working climate. As standard.**

The especially large cabins certified by ROPS/FOPS have been designed using the latest standards of ergonomics and occupational health. They offer excellent visibility and are separate from the engine space. In their interiors it therefore remains comfortably cool. If required they can be fitted with an additional comfort packet. For servicing they are simply tipped.

And because construction sites are not motorways, the carriage work and chassis must be particularly robust, rigid and durable: a stabile backbone for many years.



Leading technology
with system:
from the construction
through to servicing.



Quality in detail. Know-how and experience as specialist for compact excavators.

The purchase of an excavator is a system decision for the future. Wacker Neuson models are known for their excellent performance, for low consumption, for being easy to service and for the ergonomic design of the controls. For these reasons the compact excavators 6003 and 8003 are also your first choice for the future.

6003
8003

1 Auto2Speed.

Automatic changing down from second gear when it is worthwhile due to the workload being undertaken (e.g. when levelling).

2 Particularly durable hybrid tracks*

which can be driven easily over asphalt and sharp edged surfaces and whose links can be individually replaced.

3 Diesel particle filter*

for all uses where clean air is of particular importance: in closed spaces or in tunnel construction and mining.

4 Counter weights for even greater safety*:

up to 16% (6003) or 15% (8003) more stability by the deployment of 300 kg counterweight for the 6003 and 400 kg for the 8003. And all this with only 70 mm additional overhang at the back.

* Optional additional equipment.



Versatility, showing
itself every day:
Equipped for all applications.



Chances are possibilities meeting strengths...

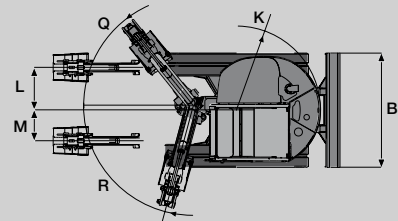
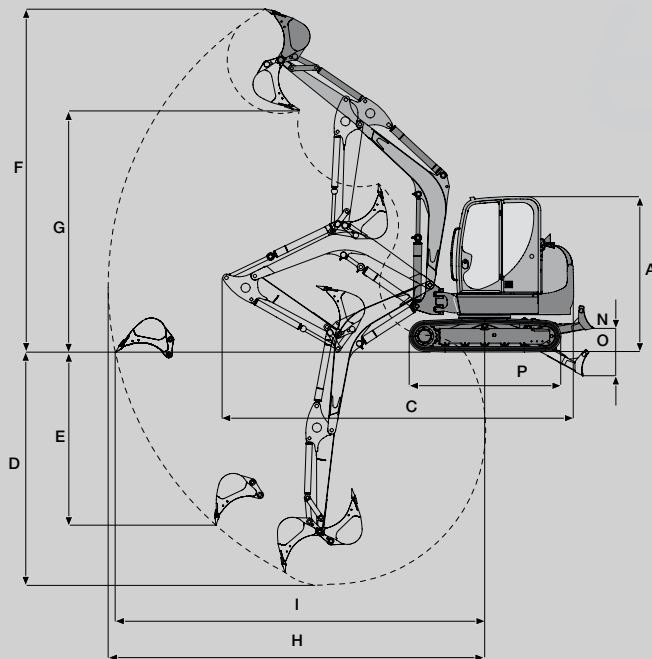
and the small turn models 6003 / 8003 are strong partners on the way to new successes. Because they open new fields of operation. Because they are optimally prepared for the interplay with add on tools. Because they prove their strengths under difficult conditions. Because they reach beyond the normal and always find their own form.

6003

8003



Mono arm



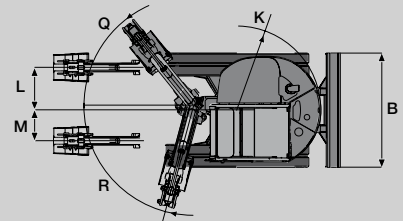
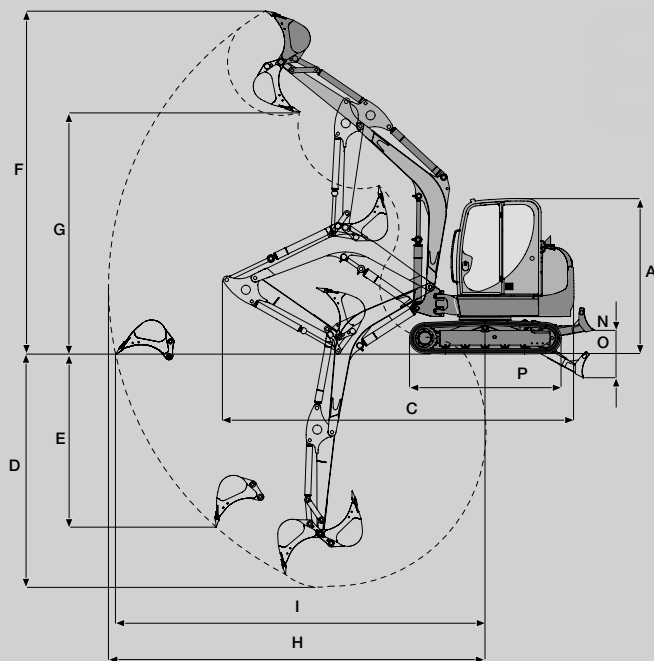
DIMENSIONS

	6003 Mono arm	6003 Pivot arm
A Height	2570 mm	2570 mm
B Width	1990 mm	1990 mm
C Transport length (arm lowered)	5800 mm	5258 mm
BUCKET ARM SHORT/ LONG		
D Max. excavation depth	3845 / 4140 mm	3872 / 4174 mm
E Max. vertical insertion depth	2855 / 3135 mm	3218 / 3497 mm
F Max. insertion height	5660 / 5850 mm	6504 / 6747 mm
G Max. cutting height	3995 / 4185 mm	4746 / 4990 mm
H Max. excavating radius	6210 / 6490 mm	6604 / 6894 mm
I Max. reach on the ground	6090 / 6380 mm	6495 / 6790 mm
Max. overhang at rear (top part of vehicle turned 90°)	470 mm	470* mm
K Rear swivel radius	1465 mm	1465 mm
L Max. arm displacement to middle of bucket right. side 745	745 mm	745 mm
M Max. arm displacement to middle of bucket left. side 535	535 mm	535 mm
N Max. lifting height levelling blade above formation	390 mm	390 mm
O Max. lifting height levelling blade above formation	400 mm	400 mm
P Length of travelling gear	2500 mm	2500 mm
R Max. angle of swivel arm system to the right	51 °	51 °
Q Max. angle of swivel arm system to the left	75 °	75 °



LIFTING POWER 6003 Mono arm								LIFTING POWER 6003 Pivot arm									
B	A	3 m		4 m		5 m		max.	B	A	3 m		4 m		5 m		max.
		0°	90°	0°	90°	0°	90°				0°	90°	0°	90°	0°	90°	
4,0 m	–	–	1245*	1155	–	–	1310*	1020	4,0 m	–	–	1335*	1125	–	–	1300*	805
3,0 m	–	–	1265*	1145	–	–	1300*	805	3,0 m	–	–	1415*	1090	1250*	735	1220*	640
2,0 m	1885*	1700	1490*	1100	1330*	775	1320*	710	2,0 m	2265*	1555	1600*	1010	1300*	705	1180*	565
1,0 m	2615*	1550	1775*	1035	1435*	750	1360*	675	1,0 m	2710*	1350	1785*	920	1365*	665	1155*	535
0,0 m	2970*	1470	1970*	990	1495*	730	1410*	690	0,0 m	2715*	1265	1840*	855	1365*	630	1125*	540
-1,0 m	2910*	1450	1965*	970	–	–	1465*	760	-1,0 m	2420*	1255	1710*	835	1215*	620	1075*	590
-2,0 m	2450*	1475	–	–	–	–	1495*	965	-2,0 m	1850*	1285	1315*	855	–	–	940*	725

Mono arm



DIMENSIONS

	8003	8003
	Mono arm	Pivot arm
A Height	2710 mm	2710 mm
B Width	2250 mm	2250 mm
C Transport length (arm lowered)	6570 mm	5585 mm
BUCKET ARM SHORT/ LONG		
D Max. excavation depth	4290 / 4580 mm	4260 / 4560 mm
E Max. vertical insertion depth	3670 / 3970 mm	3266 / 3558 mm
F Max. insertion height	6980 / 7170 mm	7768 / 8036 mm
G Max. cutting height	4840 / 5030 mm	5614 / 5882 mm
H Max. excavating radius	7170 / 7440 mm	7482 / 7778 mm
I Max. reach on the ground	7020 / 7300 mm	7345 / 7646 mm
Max. overhang at rear (top part of vehicle turned 90°)	400 mm	400 mm
K Rear swivel radius	1550 mm	1550 mm
L Max. arm displacement to middle of bucket right. side 745	720 mm	720 mm
M Max. arm displacement to middle of bucket left. side 535	550 mm	550 mm
N Max. lifting height levelling blade above formation	450 mm	450 mm
O Max. lifting height levelling blade above formation	520 mm	520 mm
P Length of travelling gear	2830 mm	2830 mm
R Max. angle of swivel arm system to the right	63 °	63 °
Q Max. angle of swivel arm system to the left	67 °	67 °



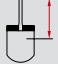
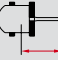
LIFTING POWER 6003 Mono arm									LIFTING POWER 6003 Pivot arm								
B	A 3 m		4 m		5 m		max.		B	A 3 m		4 m		5 m		max.	
	0°	90°	0°	90°	0°	90°	0°	90°		0°	90°	0°	90°	0°	90°	0°	90°
4,0 m	–	–	2010*	1930	1915*	1330	1920*	1165	4,0 m	–	–	2190*	1795	1960*	1215	1890*	925
3,0 m	2925	2920	2315*	1845	2020*	1300	1895*	985	3,0 m	3295*	2685	2465*	1685	2060*	1170	1805*	800
2,0 m	4070*	2620	2750*	1730	2205*	1245	1905*	920	2,0 m	4250*	2300	2820*	1535	2205*	1100	1745*	735
1,0 m	4770*	2400	3120*	1620	2380*	1185	1930*	890	1,0 m	4585*	2060	3065*	1405	2315*	1030	1690*	715
0,0 m	4750*	2335	3260*	1550	2455*	1145	1960*	910	0,0 m	4295*	2015	3070*	1335	2315*	985	1625*	730
-1,0 m	4375*	2330	3135*	1530	2345*	1130	1975*	990	-1,0 m	3770*	2030	2825*	1320	2130*	970	1515*	800
-2,0 m	3675*	2365	2690*	1545	–	–	1940*	1180	-2,0 m	2960*	2085	2285*	1345	1610*	1000	1310*	950

	6003 Mono-/pivot arm	8003 Mono-/pivot arm
 OPERATING DATA		
Transport weight	5500 kg • 5825 kg	7625 kg • 8000 kg
Max. shearing force	28,1 kN	38,7 kN
Max. shearing force longer bucket arm	25,1 kN	35,1 kN
Max. breakaway torque	39,7 kN	52,3 kN
 ENGINE		
Manufacturer / type	Yanmar 4TNV98	Yanmar 4TNV98
Type	water cooled 4 cylinder diesel engine	water cooled 4 cylinder diesel engine
Max. engine performance	51,1 kW (69,5 PS)	51,1 kW (69,5 PS)
Flywheel performance as ISO	43,7 kW (58,5 PS)	43,7 kW (58,5 PS)
Capacity	3318 cm ³	3318 cm ³
Nominal rotation speed	2100 min ⁻¹	2100 min ⁻¹
Battery	12 V, 88 Ah	12 V, 88 Ah
Volume of diesel tank	83 l	93 l
 HYDRAULIC SYSTEM		
Pump	Double variable- & double hydraulic gear pump	
Capacity	2 x 59,6 + 44,7 + 9,6 l/min	2 x 76,7 + 2 x 34,1 l/min
Operating pressure for work and drive hydraulics	245 bar	300 bar
Operating pressure slewing gear	215 bar	245 bar
Hydraulic oil cooler	Standard	Standard
Hydraulic tank capacity	80 l	99 l
 DRIVING GEAR AND SLEWING GEAR		
2 driving speeds	2,8 km/h und 4,7 km/h	3,2 km/h und 5,2 km/h
Gradeability	30°/58%	30°/58%
Width of tracks	400 mm	450 mm
Number of runners each side	5	5
Ground clearance	290 mm	380 mm
Ground pressure	0,33 kg/cm ²	0,36 kg/cm ²
Revolving superstructure revolutions	9 min ⁻¹	9,2 min ⁻¹
 LEVELLING BLADE		
Width	1990 mm	2300 mm
Height	425 mm	500 mm
Max. lift above formation level	390 mm	450 mm
Max. lift below formation level	400 mm	520 mm
 NOISE EMISSION		
Sound power level (L_w) (as 2000/14/EG)	98 dB (A)	98 dB (A)
Sound pressure level (L_p) (as ISO 6394)	78 dB (A)	78 dB (A)

A Projection from the middle of the turntable

B Load sling height above ground level

* Lifting force is restricted hydraulically. All values in the table are given in kg, at horizontal standing on hard ground and without bucket. If a bucket or other work tool is attached, the lifting power or tipping load is reduced by their weight. Basis of calculations: as ISO 10567. The lifting power of the compact excavator is limited by the adjustment of the pressure control valve and by the tipping security. Neither 75 % of the static tipping load nor 87 % of the hydraulic lifting power is exceeded.

0°		with levelling blade support in direction of travel
90°		without levelling blade support 90° to direction of travel

STANDARD EQUIPMENT**6003 • 8003****OPTIONS****6003 • 8003****GENERAL**

- 6003** rubber chain 400 mm
- 8003** rubber chain 450 mm

levelling blade

Work floodlight on lifting arm

Tool set incl. grease press and maintenance manual

ENGINE

Water cooled YANMAR diesel engine

Engine speed automatic

CAB

Glazed, tiltable safety cab: cab heating, sliding window at the side, windscreen can be lowered inwards, windscreen wiper washer system, fully lined internally, pivoting control panel, armrests; cab meets the FOPS and TOPS regulations

Prepared for radio (cabling, loudspeakers, aerial)**Cabling** for floodlight and swivel light**HYDRAULICS****Buzz power control****Hydraulic oil cooler****Hydraulic pre-control** with joystick operation**Valve control** as ISO, DIN, SAE, PCSA and EURO

- 6003** **Additional hydraulic connections** for 2 movement directions on bucket arm (1685 mm)

- 8003** **Additional hydraulic connections** for 2 movement directions on bucket arm (1850 mm)

Automatic 2 speed gears, 2 driving speeds automatically switched, 2 gear manually lockable**Enlarged, pressure less return pipe** (for various add on tools)**CAB**

Air conditioning

Air-sprung driver's seat

Radio

HYDRAULICS**4th control circuit** proportionally controlled

Bio oil Panolin

BP-Biohyd SE46

Flat sealing coupling

Proportional control (for additional hydraulics)**Pressure relief valve additional hydraulics****Overload warning device D** (safety valve for lifting arm)**Overload warning device F** (safety valve for lifting arm and bucket arm)**Additional piping grab tool****PAINTING****Special paint 1 RAL** (paint only for yellow parts)**Special paint 1 non RAL** (paint only for yellow parts)**Special paint cab RAL** (only RAL colours possible)**PACKET****Comfort packet** (air conditioning, automatic idling, radio, mirror packet, work floodlights front & back)**Mirror packet** (mirror right and left)**OTHER****work floodlight at front****work floodlight front and rear****anti-theft device****Diesel tank filling pump****swivel light****Counterweight****6003** +300 kg**8003** +400 kg**Bucket arm long** (+300 mm)**Security 24 (1500 h)** (extension of guarantee 24 months or 1500 operating hours)**Security 24 (2000 h)** (extension of guarantee 24 months or 2000 operating hours)**Steel track****6003** 400 mm**8003** 450 mm**Pivot arm****Central greasing****Hybrid chain****Hydraulic EASY LOCK quick change system**

Wacker Neuson compact equipment offers power and manoeuvrability on the spot. **Any time, any place.**

We consider it a constant duty to ensure that our promise regarding our products and services is fulfilled:

Reliability, Trust, Quality, Reactivity, Flexibility and Innovation.

Compact construction equipment of the Wacker Neuson brand also does the business where others can only stand and watch. Our products prove their worth through quality, power, intelligent hydraulics, compact dimensions, innovative technology, high productivity and reliability. This gives a form of set-up that only Wacker Neuson – the specialist in compact equipment – is capable of.

You too can take advantage of this bespoke capability. The Wacker Neuson compact class is in a class of its own. With success stamped right through it.



**WACKER
NEUSON**